

ARISTARCO

CATALOGO PARTI DI RICAMBIO
SPARE PARTS CATALOGUE
CATALOGUE PIECES DETACHEES
ERSATZTEILKATALOG
CATALOGO DE PIEZAS DE RICAMBIO
CATALOGO PEÇAS DE REPOSIÇÃO

MOD. AU 55.65 EASY PRS
Utensil washer basket 56.5x69
Single skinned
Electromechanical controls

INFORMAZIONI GENERALI

- A. Il catalogo serve per richiedere con esattezza le parti di ricambi, in base al **MODEL** indicato nella matricola della macchina. Negli ordini indicare la posizione, il codice, la descrizione e la quantità delle parti di ricambio;
- B. I disegni delle parti di ricambio sono indicativi e NON rappresentano il pezzo reale;
- C. I dati contenuti in questo catalogo sono indicativi e possono essere soggetti a modifiche senza preavviso.

GENERAL INFORMATION

- A. This catalog order exactly the right spare parts, according to the **MODEL** indicated on the identification plate of the machine. When ordering, specify the position, the code, the description and the quantity of spare parts;
- B. The spare parts drawings are general and DO NOT represent the real part;
- C. The contents of this catalog are general, and can undergo changes without prior notice.

INFORMATIONS GENERALES

- A. Ce catalogue est utilisé pour commander exactement les pièces détachées, selon le **MODEL** indiqué sur la plaque d'identification de la machine. Les commandes doivent indiquer la position, le code, la description et la quantité des pièces détachées;
- B. Les dessins des pièces détachées sont indicatif, et NE représentent pas le pièces concernée;
- C. Les données de ce catalogue sont citées seulement à titre indicatif et peuvent être l'objet de modifications sans avis préalable.

LETTURA DELLA MATRICOLA MACCHINA

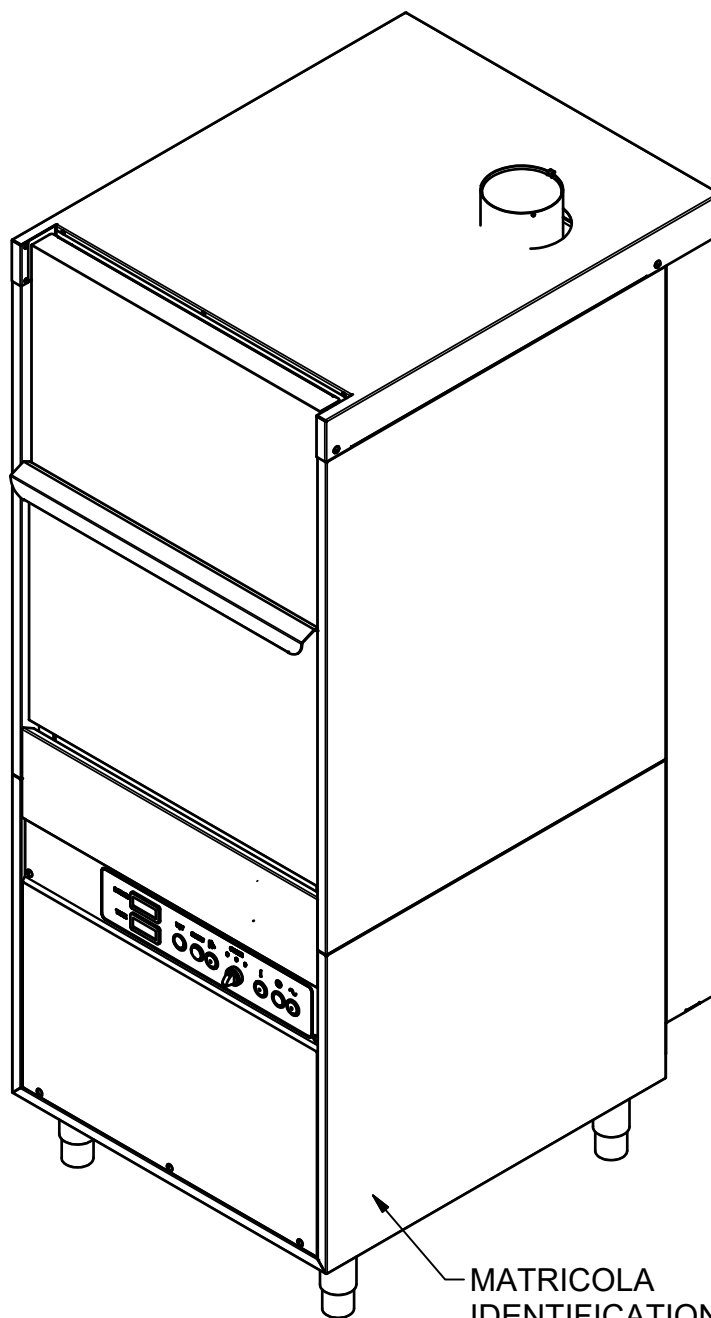
CONSTRUCTION OF MACHINE ID NUMBER

LECTURE DONNÉE DE LA MACHINE

DATI IDENTIFICATIVI
IDENTIFICATION DATA
DONNÉES D'IDENTIFICATION

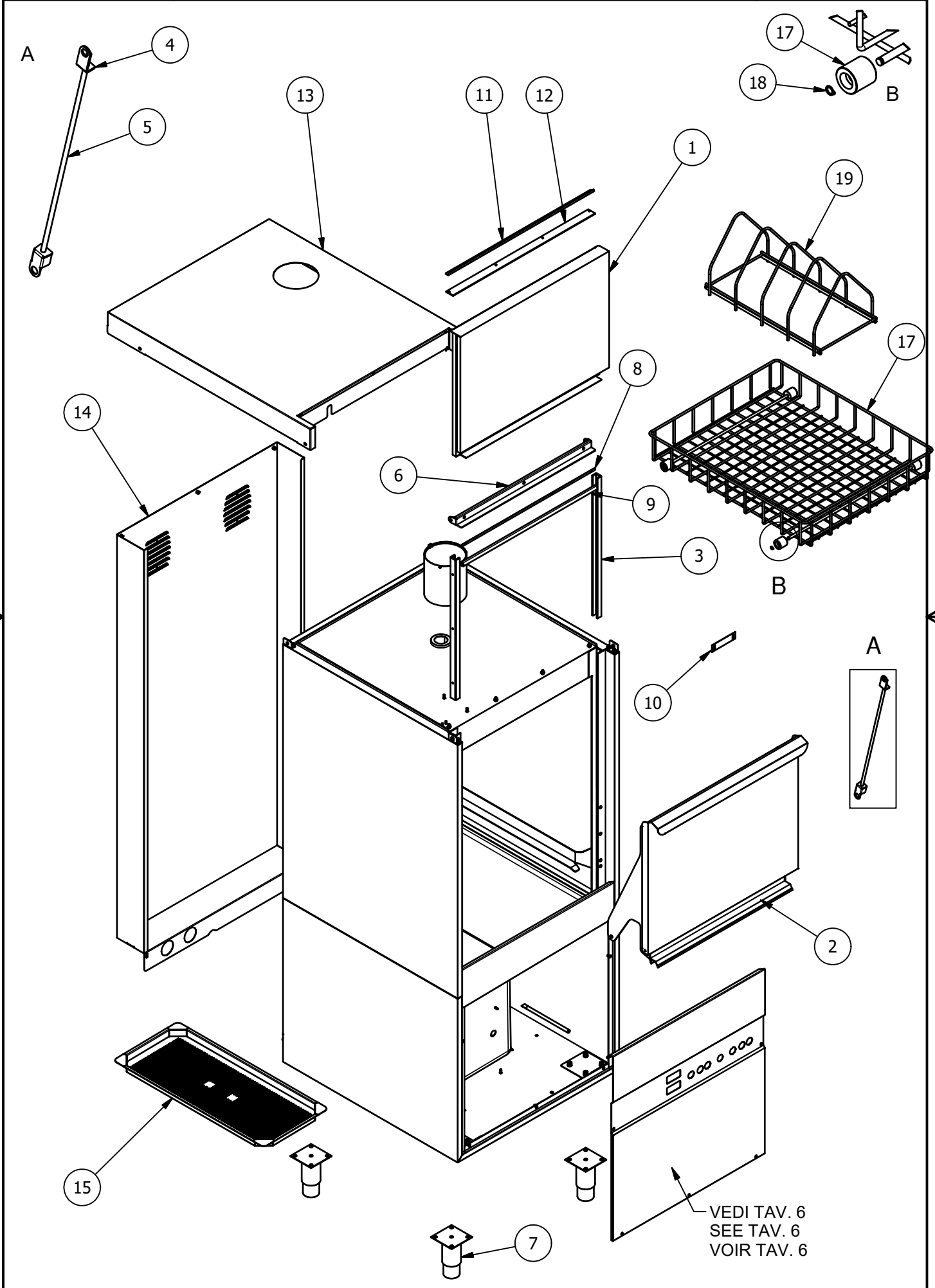
LOGO FABBRICANTE MANUFACTURER LOGO	INDIRIZZO FABBRICANTE MANUFACTURER ADDRESS
MODEL TYPE CODE 1234-123456 SERIAL No. YYYYYYYY ARTICLE	220-240V~50Hz 14A Power 3185 W IP25
WATER SUPPLY 200+500 kPa/MAX 50°C Electronic code: XXXX PW: XXXX	

DATI TECNICI
TECHNICAL SPECIFICATIONS
DONNÉES TECHNIQUES



MATRICOLA
IDENTIFICATION PLATE
PLAQUE D'IDENTIFICATION

TAV 1	CARROZZERIA	BODY	CARROSSERIE
TAV 2	COMPONENTI ELETTRICI	ELECTRICAL COMPONENTS	COMPOSANTS ÉLECTRIQUES
TAV 3	COMPONENTI IDRAULICI	HYDRAULIC COMPONENTS	COMPOSANT HYDRAULIQUES
TAV 4	BRACCI LAVAGGIO / RISCIAQUO	WASH/RINSE ARMS	BRAS DE LAVAGE ET RINÇAGE
TAV 5	POMPA DI SCARICO	DRAIN PUMP	POMPE DE VIDANGE
TAV 6	PANNELLO DI CONTROLLO	FRONT PANEL	PANNEAU DE CONTROLE
TAV 7	DOSATORE DETERSIVO E BRILLANTANTE	DETERGENT AND RINSE AID DISPENSER	DOSEURS PRODUIT DE LAVAGE ET RINÇAGE



VEDI TAV. 6
SEE TAV. 6
VOIR TAV. 6

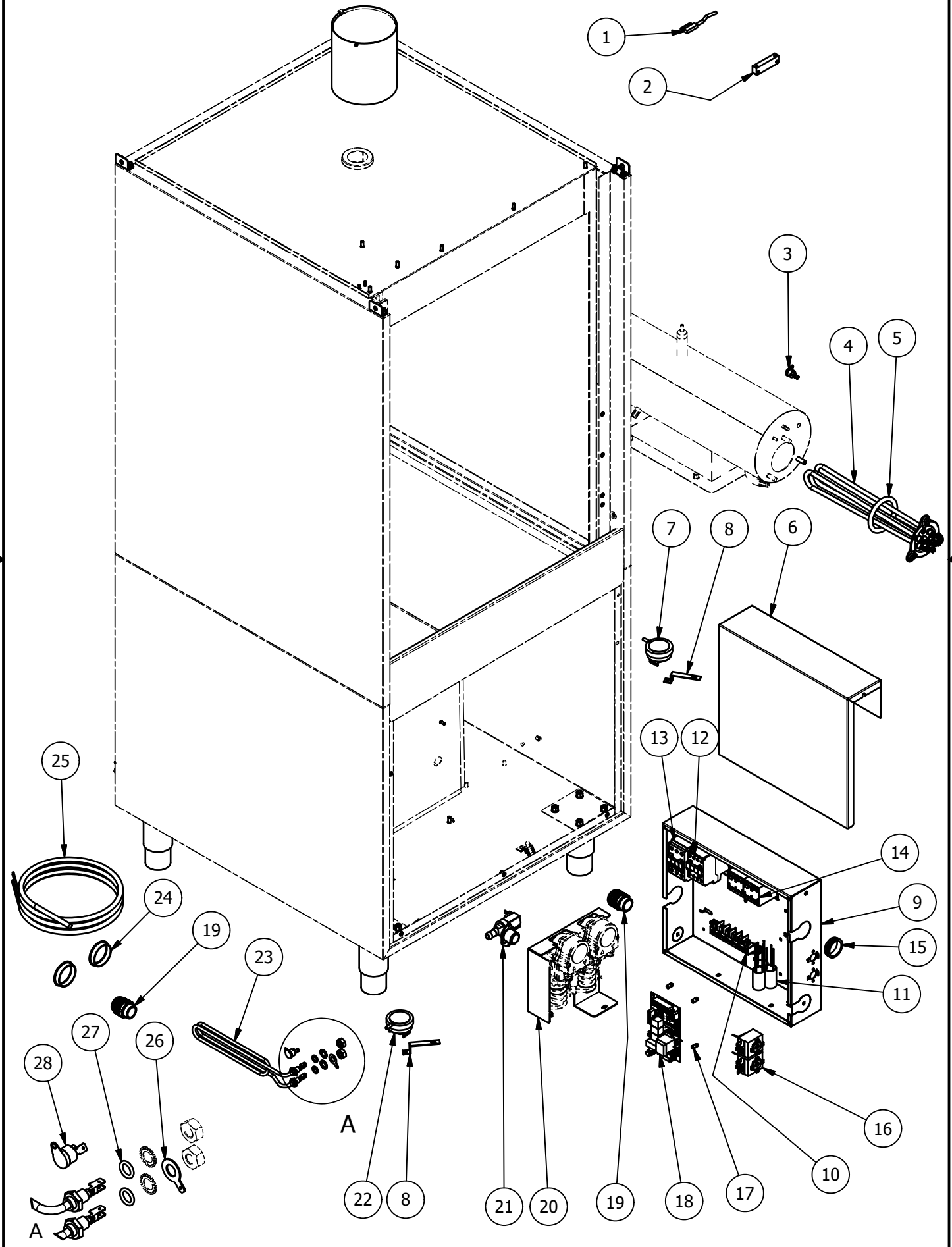
REV.02
(01/2021)

AU 55.65 EASY PRS
CARROZZERIA - BODY - CARROSSERIE

TAV.1_2

ELEM.	CODICE	DA/FROM MATR.	DESCRIZIONE	DESCRIPTION [EN]	DESCRIPTION [FR]	U.M.
1	00011823		ASS. SERRANDA	DOOR ASSY	ENS. DE LA PORTE	No.
2	00011828		ASS. PORTA	DOOR ASSY	ENS. DE LA PORTE	No.
3	00006616		GUIDA DI SCORR. SERRANDA	SLIDING DOOR SUPPORT	GUIDE PORTE COULISSANTE	No.
4	00009245		TERMINALE SUPERIORE	SUPPORT BRACKET	SUPPORT BRIDE	No.
5	00006613		ASS. ASTA DI RINVIO	SHAFT ASSY	ENS. BRAS DE LEVIER	No.
6	00009226		PROFILO AGGANCIAMENTO ASTE	BRACKET CONN. PROFILE	PROFIL JOINT	No.
7	2026-0001		PIEDINO FLANGIATO	ADJUSTABLE FOOT	PIED RÉGLABLES	No.
8	00014362		ANIMA GUARN. SERRANDA	PLATE FOR DOOR GASKET	PLAQUE POUR JOINT PORTE	No.
9	00006493		GUARNIZIONE SERRANDA	DOOR GASKET	JOINT DE LA PORTE	No.
10	3050-0067		STAFFA FISSAGGIO MAGNETE	MAGNETIC UNIT SUPPORT	SUPPORT DU AIMANT UNIT	No.
11	3056-0034		PROFILO DI FISSAGGIO	FIXING PROFILE	PROFIL DE FIXATION	No.
12	00014368		GUARNIZIONE SUP.SERRANDA	DOOR GASKET	JOINT DE LA PORTE	No.
13	1740200001		PANNELLO SUPERIORE	UPPER PANEL	PANNEAU SUPÉRIEUR	No.
14	1740600005		SCHIENALE INTERO	REAR PANEL	PANNEAU ARRIERE	No.
15	00017554		FILTRO VASCA	TANK FILTER	FILTRE DE RÉSERVOIR	No.
16	00006597		CESTO INOX	SS BASKET ASSY	PANIER EN ACIER	No.
17	00004524		RUOTA CESTO	BASKET WHEEL	ROUE DE PANIER	No.
18	00004416		SEEGER DIN471 8x0.8	SEEGER DIN471 8x0.8	SEEGER DIN471 8x0.8	No.
19	OB005970		PORTATEGLIE	TRAY HOLDER	PORTÉPLATEAU	No.

(*) RICAMBI CONSIGLIATI / RECOMMENDED SPARE PARTS / PIÈCES DÉTACHÉES RECOMMANDÉES

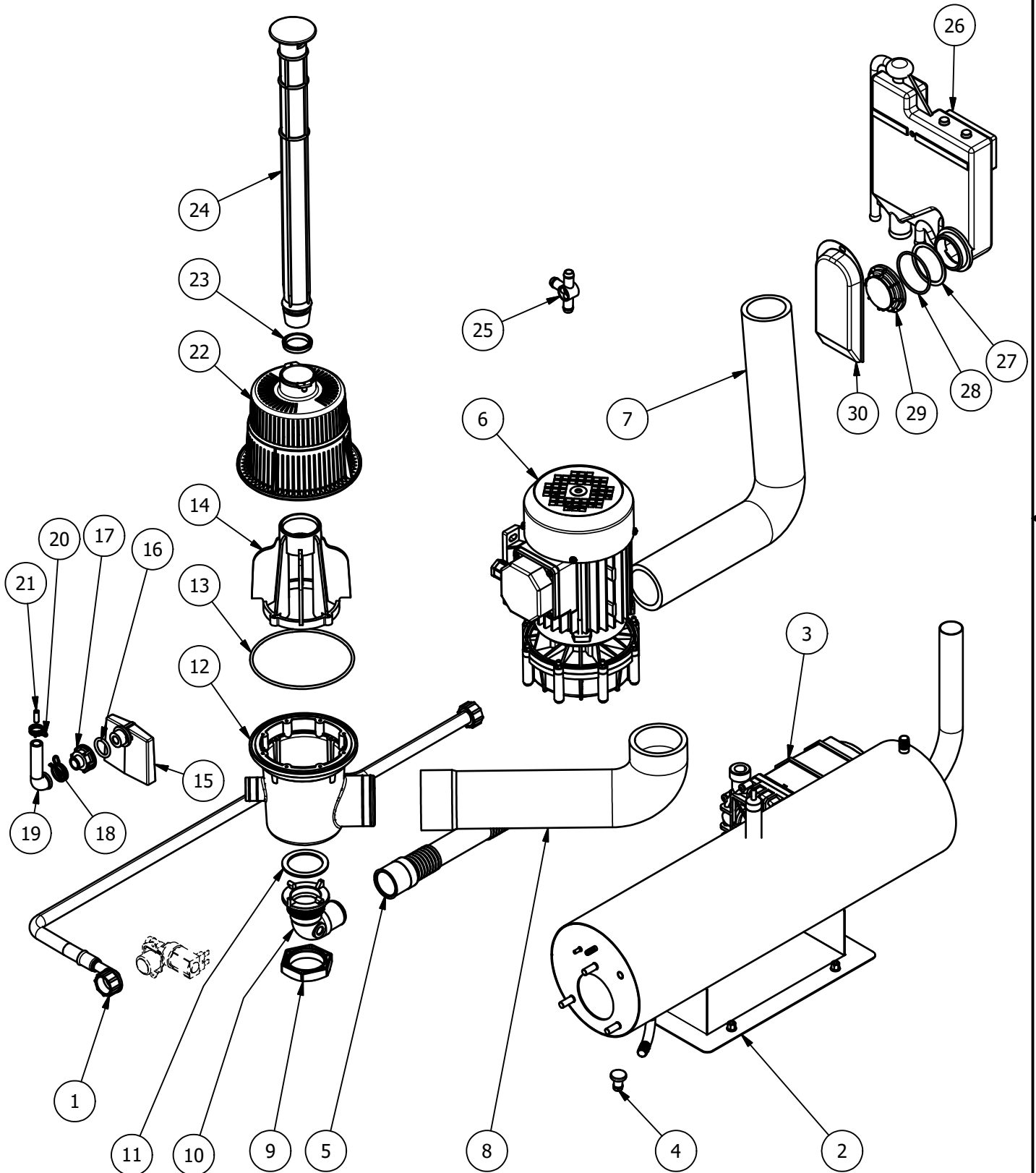


REV.02
(01/2021)AU 55.65 EASY PRS
COMPONENTI ELETTRICI - ELECTRICAL COMPONENTS - COMPOSANT ELECTRIQUES

TAV.2_2

ELEM.	CODICE	DA/FROM MATR.	DESCRIZIONE	DESCRIPTION [EN]	DESCRIPTION [FR]	U.M.
1	00012685	10620268	MICROINTERRUTTORE MAGNETICO	MICRO SWITCH	MICRO CONTACTEUR	No.
2	00005679	10620268	UNITA' MAGNETICA RETT. (*)	MAGNETIC UNIT (*)	AIMANT UNIT (*)	No.
3	00004913		TERMOSTATO BIMETALL. A R.M. (*)	MANUAL RESET SAFETY THERMOSTAT (*)	THERMOSTAT DE SECURITÉ À RÉARM. MANUEL (*)	No.
4	00016572		RESISTENZA 230V 6kW (*)	RESISTANCE 230V 6kW (*)	RÉSISTANCE 230V 6kW (*)	No.
5	00000057		OR PER FLANGIA BOILER (*)	OR FOR BOILER FLANGE (*)	OR POUR BRIDE DU CHAUD. (*)	No.
6	3022-0004		PANNELLO CHIUSURA SCATOLA ELETTRICA	WIRING METAL BOX COVER	COUVERTURE BOÎTE ÉLECTRIQUE	No.
7	00016403		PRESSOSTATO LIVELLO 28/12 (*)	PRESSURE SWITCH 28/12 (*)	PRESSOSTAT DE NIVEAU D'EAU 28/12 (*)	No.
8	00005420		STAFFA PRESSOSTATO	PRESSURE SWITCH BRACKET	SUPPORT DU PRESSOSTAT	No.
9	3024-0001		SCATOLA QUADRO ELETTRICO	WIRING METAL BOX	BOÎTE ÉLECTRIQUE	No.
10	4055-0001		MORSETTIERA FV122 40A 450V	TERMINAL BOARD FV122 40A 450V	BLOC TERMINAL FV122 40A 450V	No.
11	00002779		FILTRO ANTIDISTURBO 0,47 uF	FILTER 0,47 uF	FILTRE ANTIPARASITE 0.47 uF	No.
12	00004375		TELERUTTORE 230V 50Hz BF09 4.2kW	CONTACTOR 230V 50Hz BF09 4.2kW	TELERUPETUR 230V 50Hz BF09 4.2kW	No.
13	4016-0001		TELERUTTORE BF26 230 45	CONTACTOR BF26 230 45	TELERUPETUR BF26 230 45	No.
14	00005140		TELERUTTORE 230V 50-60Hz (*)	CONTACTOR 230V 50-60Hz (*)	TELERUPETUR 230V 50-60Hz (*)	No.
15	00015842		PASSACAVO	CABLE GUIDE	GUIDE DU CABLE	No.
16	00000359		TERMOSTATO 0-90°C (*)	WORKING THERMOSTAT 0-90°C (*)	THERM. DE TRAVAIL 0-90°C (*)	No.
17	1020-0001		DISTANZIALE SCHEDA ELETTRONICA	ELECTRONIC CARDBOARD SPACER	ESPACEUR DE CARTE ÉLECTRONIQUE	No.
18	00017093		SCHEDA ELETTRONICA	ELECTRONIC CARDBOARD	CARTE ÉLECTRONIQUE	No.
19	00000462		FISSACAVO PG 21	CABLE CLAMP PG 21	GUIDE DU CABLE PG 21	No.
20	00014349		SUPPORTO DOSATORI	DETERGENT DISPENSER SUPPORT	DOSEUR SOUTIEN	No.
21	00000394		ELETTRORVALVOLA SING. 90° 230V (*)	SINGLE SOLEN. VALVE 90° 230V (*)	ELECTROV. UNIQUE 90° 230V (*)	No.
22	00016037		PRESSOSTATO LIVELLO 125/45	PRESSURE SWITCH 125/45	PRESSOSTAT DE NIVEAU D'EAU 125/45	No.
23	00014795		RESISTENZA 230V 2.8kW	RESISTANCE 230V 2.8kW	RÉSISTANCE 230V 2.8kW	No.
24	00014489		PASSACAVO	CABLE GUIDE	GUIDE DU CABLE	No.
25	00001679		CAVO ALIMENTAZIONE 5G 3.5	POWER CABLE 5G 3.5	CABLE D'ALIMENTATION 5G 3.5	No.
26	00000131		ATTACCO MASSA	FITTING	RACCORD	No.
27	00000697		OR 112	OR 112	OR 112	No.
28	00004066		TERMOSTATO BIMETALL. A R.M. (*)	MANUAL RESET SAFETY THERMOSTAT (*)	THERMOSTAT DE SECURITÉ À RÉARM. MANUEL (*)	No.

(*) RICAMBI CONSIGLIATI / RECOMMENDED SPARE PARTS / PIECES DETACHEES RECOMMANDEES

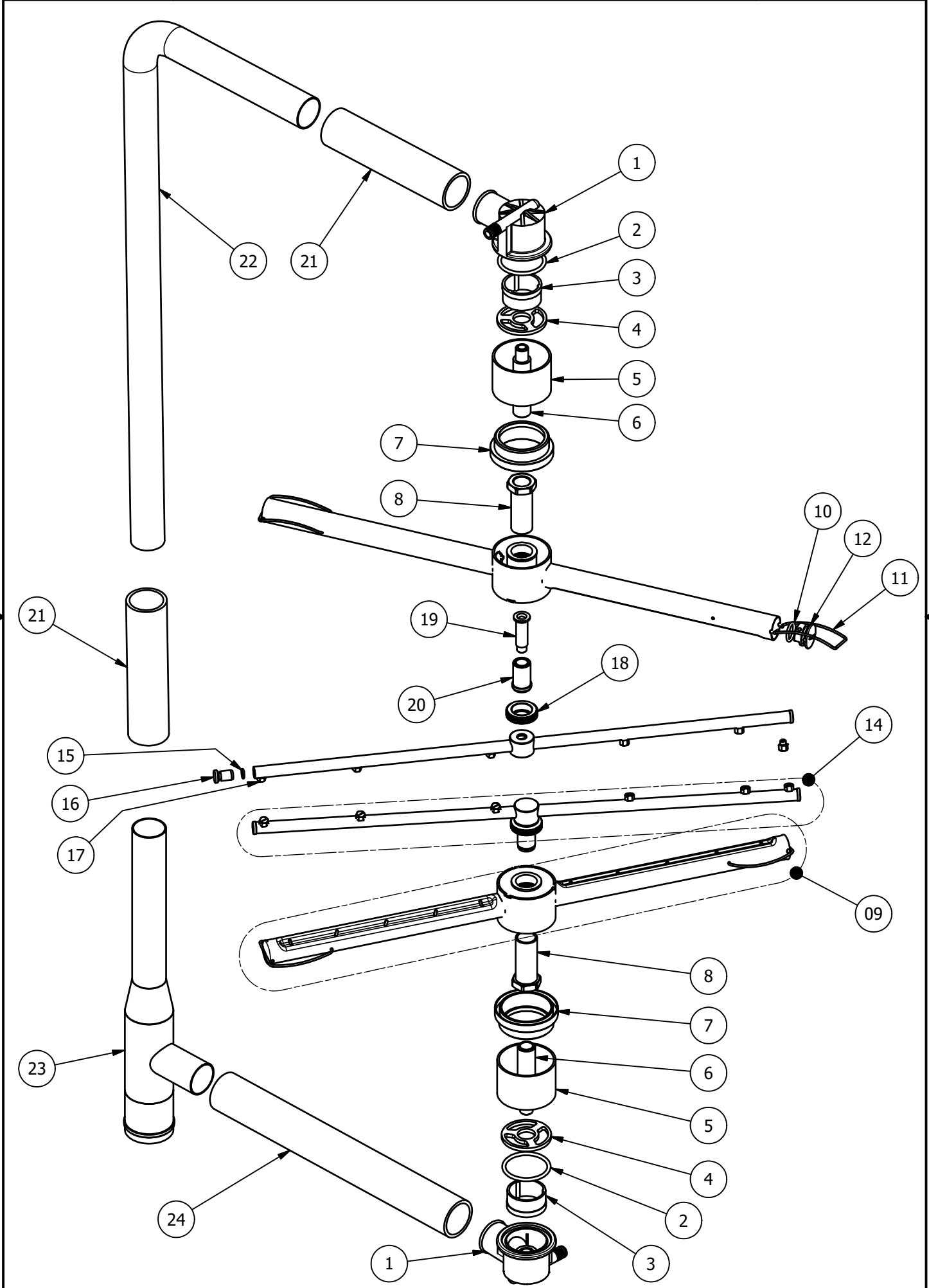


REV.02
(01/2021)AU 55.65 EASY PRS
COMPONENTI IDRAULICI - HYDRAULIC COMPONENTS - COMPOSANT HYDRAULIQUES

TAV.3_2

ELEM.	CODICE	DA/FROM MATR.	DESCRIZIONE	DESCRIPTION [EN]	DESCRIPTION [FR]	U.M.
1	000000139		TUBO CARICO L=2000mm	WATER INLET HOSE L=2000mm	TUYAU D'ENTRÉE L=2000mm	No.
2	00015620		ASS. BOILER 12L	12L BOILER ASSY	12L BOILER ASSY	No.
3	00015422		POMPA RISC. 230V 50Hz	RINSE PUMP 230V 50Hz	POMPE DE RINC. 230V 50Hz	No.
4	3033-0001		TAPPO MASCHIO	CAP	BOUCHON	No.
5	00002188		TUBO SCARICO L=2000mm	WATER OUTLET HOSE L=2000mm	TUYAU DE SORTIE L=2000mm	No.
6	6001-0004		POMPA LAVAGGIO DX 1.3KW 400V	W. PUMP RH 1.3KW 400V	POMPE DE LAV. DROITE 1.3KW 400V	No.
7	3080-0005		MANICOTTO MANDATA	DELIVERY SLEEVE	MANCHON DE LIVRAISON	No.
8	00015201		MANICOTTO ASPIRAZIONE	SUCTION SLEEVE	MANCHON D'ASPIRATION	No.
9	00000203		DADO PILETTA	DRAIN SCREW	ÉCROU TASSE D'ÉCHAPP	No.
10	00017159		PILETTA DI SCARICO	DRAIN	TASSE D'ÉCHAPPEMENT	No.
11	00000204		GUARNIZIONE POZZETTO	EXHAUST COCKPIT GASKET	JOINT DU Puits DU FILTRE	No.
12	00017158		POZZETTO SCARICO	EXHAUST COCKPIT	PUITS DU FILTRE	No.
13	00015315		OR 4500	OR 4500	OR 4500	No.
14	00017157		GHIERA GRUPPO FILTRANTE	THREADED RING FOR FILTERING GROUP	BAGUE POUR FILTRE	No.
15	00003535		GABBIA D'ARIA VASCA (*)	AIR TRAP (*)	TRAPPE D'AIR (*)	No.
16	00002934		OR 4081	OR 4081	OR 4081	No.
17	00003536		DADO GABBIA D'ARIA	NUT FOR AIR TRAP	ÉCROU POUR TR. DE L'AIR	No.
18	00000391		FASCETTA BIFIL. Ø19.6x20.6	CLAMP Ø19.6x20.6	COLLIER Ø19.6x20.6	No.
19	00002927		RACCORDO ANTICONDENSA	FITTING	RACCORD ANTI-COND	No.
20	00000388		FASCETTA BIFIL. Ø14.4X15.1	CLAMP Ø14.4X15.1	COLLIER Ø14.4X15.1	No.
21	00002933		TUBO TENUTA GABBIA D'ARIA	AIR TRAP JUNCTION	JONC. POUR TRAPPE D'AIR	No.
22	00017156		FILTRO POZZETTO	FILTER OF FILTERING GROUP	FILTRE CUVE	No.
23	000017178		GUARNIZIONE TROPPOPIENO	OVERFLOW GASKET	JOINT DU TROP PLEIN	No.
24	00017161		TROPPOPIENO VASCA	OVERFLOW	TROP PLEIN	No.
25	00004120		DISTRIBUTORE 3 VIE	THREE-WAY DISTRIBUTOR	DISTRIBUTEUR TROIS VOIES	No.
26	00015941		AIR BREAK	AIR BREAK	AIR BREAK	No.
27	00015778		GUARNIZIONE PIANA AIR BREAK	PLANAR GASKET AIR BREAK	JOINT PLANAIRE AIR BREAK	No.
28	00015777		ORING - AIR BREAK	ORING - AIR BREAK	ORING - AIR BREAK	No.
29	00015779		GHIERA AIR BREAK	THREADED RING FOR AIR BREAK	BAGUE POUR AIR BREAK	No.
30	00016028		PROTEZIONE	PROTECTION	PROTECTION	No.

(*) RICAMBI CONSIGLIATI / RECOMMENDED SPARE PARTS / PIECES DETACHEES RECOMMANDEES



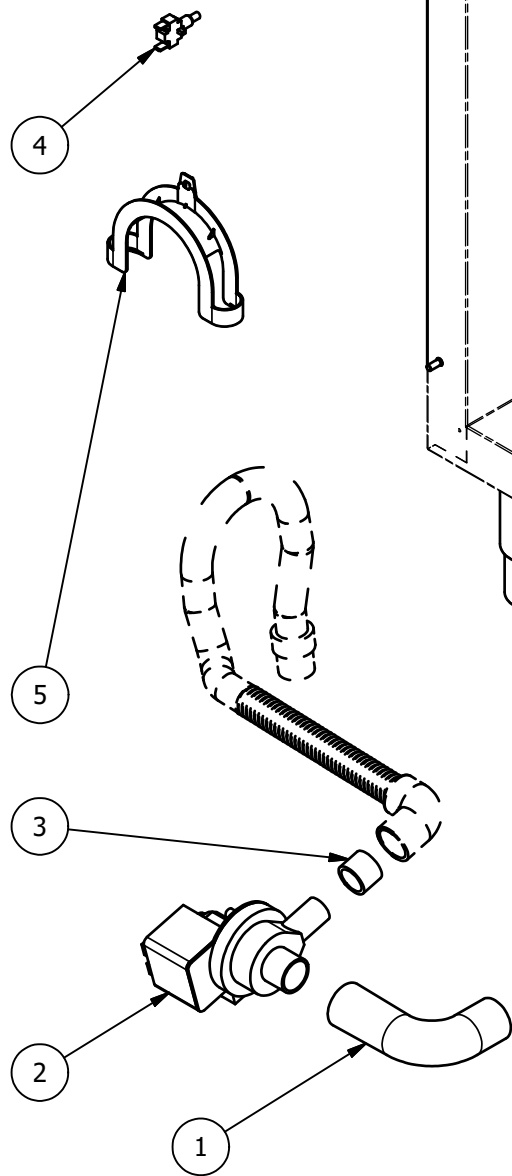
REV.02
(01/2021)

AU 55.65 EASY PRS
BRACCI DI LAVAGGIO/RISCIACQUO - WAS/RINSE ARMS - BRAS DE LAVAGE/RINCAGE

TAV.4_2

ELEM.	CODICE	DA/FROM MATR.	DESCRIZIONE	DESCRIPTION [EN]	DESCRIPTION [FR]	U.M.
1	00010610		CONCHIGLIA M13x1	DRAIN M13x1	BONDE M13x1	No.
2	00001633		OR147	OR147	OR147	No.
3	00010776		ANELLO DI CENTRAGGIO	CENTERING RING	ANNEAU DE CENTRAGE	No.
4	00017541		FLANGIA INT. COPRITIRANTE	INTERNAL FLANGE	BRIDE INTERNE	No.
5	00017509		FODERO COPRITIRANTE	TENSIONER COVER	COUVERTURE DU TENDEUR	No.
6	00B17167		TIRANTE SUPERIORE	UPPER TENSIONER	TENDEUR SUPÉRIEUR	No.
7	00017510		FLANGIA COPRITIRANTE	FLANGE	BRIDE	No.
8	00002587		PERNO DI LAVAGGIO	WASH PIN	PIN DE LAVAGE	No.
9	00015519		ASS. GIRANTE LAVAGGIO	WASH ARM ASSY	ENS. BRAS DE LAVAGE	No.
10	00000093		OR 121	OR 121	OR 121	No.
11	00002654		MOLLA AD ARCHETTO	SPRING	RESSORT	No.
12	00002650		TAPPO TUBI LAVAGGIO (*)	WASHING ARM CAP (*)	BOUCH. BRAS DE LAVAGE (*)	No.
13	00015228		TUBO LAVAGGIO	WASHING ARM	BRAS DE LAVAGE	No.
14	0002761C		ASS. GIRANTE RISCIACQUO	RINSE ARM ASSY	ENS. BRAS DE RINCAGE	No.
15	00002531		OR 106	OR 106	OR 106	No.
16	00002502		TAPPO RISCIACQUO (*)	RINSE ARM PLUG (*)	BOUCHON BRAS DE RINCAGE (*)	No.
17	00017155		UGELLO RISCIACQUO INOX	RINSE NOZZLE	GICLEUR RINCAGE	No.
18	00002416		GHIERA INOX	SS RING NUT	ECROU EN INOX	No.
19	00002417		PERNO INOX	SS PIN	PIN EN INOX	No.
20	00002419		BUSSOLA IN TEFLON	TEFLON PLAN BEARINGS	ROULEMENTS PLAN TEFLON	No.
21	00002669		TUBO RADIOR	RADIOR HOSE	TUYAU RADIOR	No.
22	3040-0012		TUBO MANDATA RAMPA	UPPER WASHING PIPE	TUYAU DE LAVAGE SUPÉRIEUR	No.
23	00017166		DISTRIBUTORE INFERIORE	LOWER WASHING PIPE	TUYAU DE LAVAGE INFÉRIEUR	No.
24	00002669		TUBO RADIOR	RADIOR HOSE	TUYAU RADIOR	No.

(*) RICAMBI CONSIGLIATI / RECOMMENDED SPARE PARTS / PIECES DETACHEES RECOMMANDEES



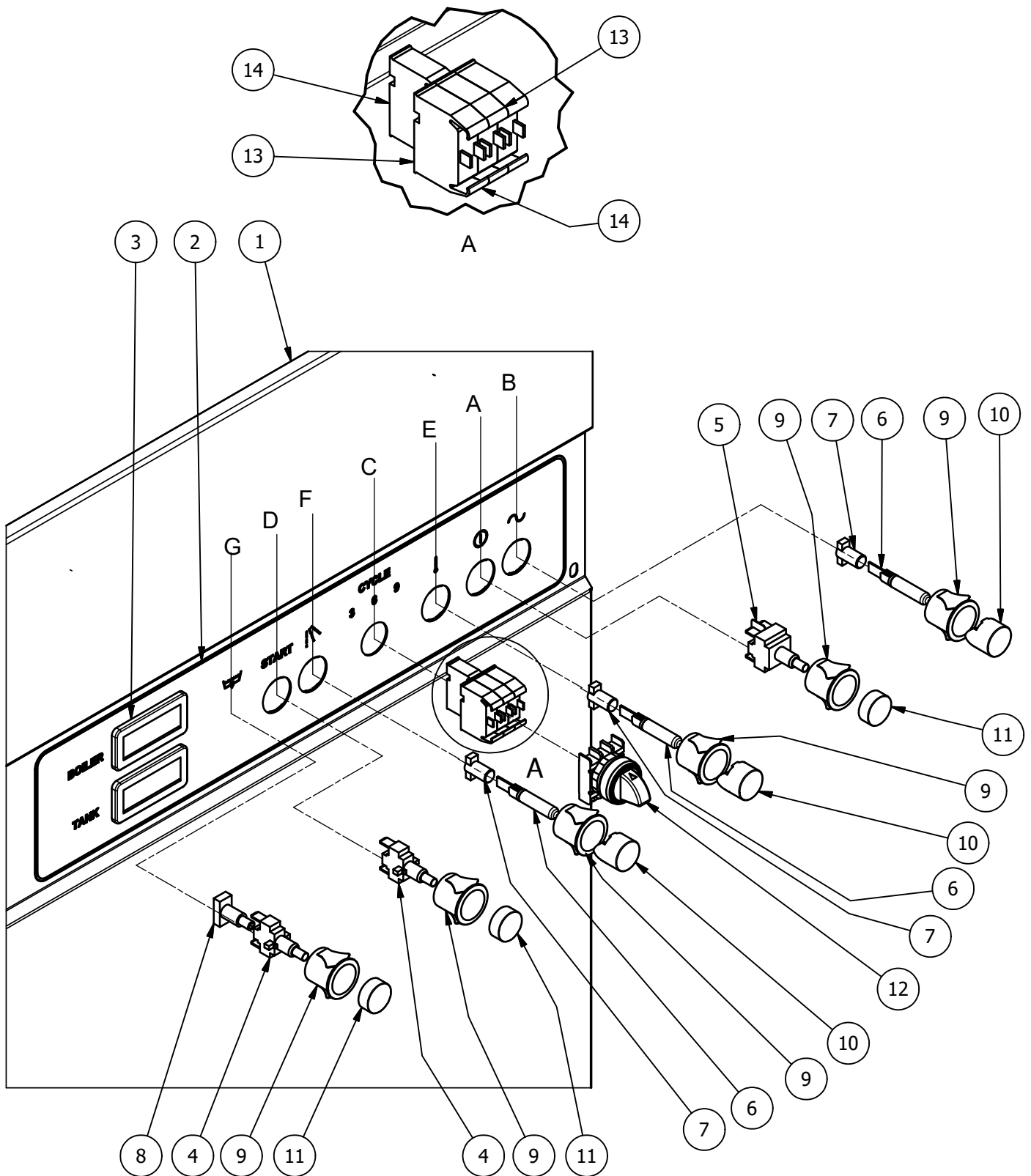
REV.02
(01/2021)

AU 55.65 EASY PRS
KIT POMPA DI SCARICO - KIT DRAIN PUMP - KIT POMPE DE VINDAGE

TAV.5_2

ELEM.	CODICE	DA/FROM MATR.	DESCRIZIONE	DESCRIPTION [EN]	DESCRIPTION [FR]	U.M.
1	00004985		MANICOTTO IN GOMMA	RUBBER HOSE	TUYAU EN GOMME	No.
2	00009563		POMPA DI SVUOTAMENTO 230V 50Hz (*)	DRAIN PUMP 230V 50Hz (*)	POMPE DE VIDANGE 230V 50Hz (*)	No.
3	3040-0002		TUBO EPDM	EPDM HOSE	TUYAU EN EPDM	No.
4	00004322		PULSANTE CM-NA (*)	CM-NO PUSH BUTTON (*)	CM-NO BOUTON (*)	No.
5	00016395		CURVA SUPPORTO TUBO SCARICO	DRAIN HOSE SUPPORT	SUPPORT DU TUYAU D'ÉCHAPPEMENT	No.

(*) RICAMBI CONSIGLIATI / RECOMMENDED SPARE PARTS / PIECES DETACHEES RECOMMANDEES



A	ON-OFF	ON-OFF	ON-OFF
B	LAMPADA SPIA PRES. TENSIONE	LIGHT: THE MACHINE IS WORKING	LAMPE TEMOIN: MACHINE EN MARCHÉ
C	SELETTORE CICLO	CYCLE SELECTOR	SELECTION DU CYCLE
D	STAR CICLO	START CYCLE	DEMARRAGE DU LAVAGE
E	LAMPADA SPIA MACCHINA PRONTA	LIGHT: MACHINE READY TO WASHING	LAMPE TEMOIN: MACHINE PRETE
F	LAMPADA SPIA CICLO	LIGHT: TURNS ON DURING THE CYCLE	LAMPE TEMOIN: MACHINE EN LAVAGE
G	POMPA DIS CARICO (OPT)	DRAIN PUMP BUTTON (OPT)	BOUTON POMPE DE VIDANGE (OPT)

REV.02
(01/2021)

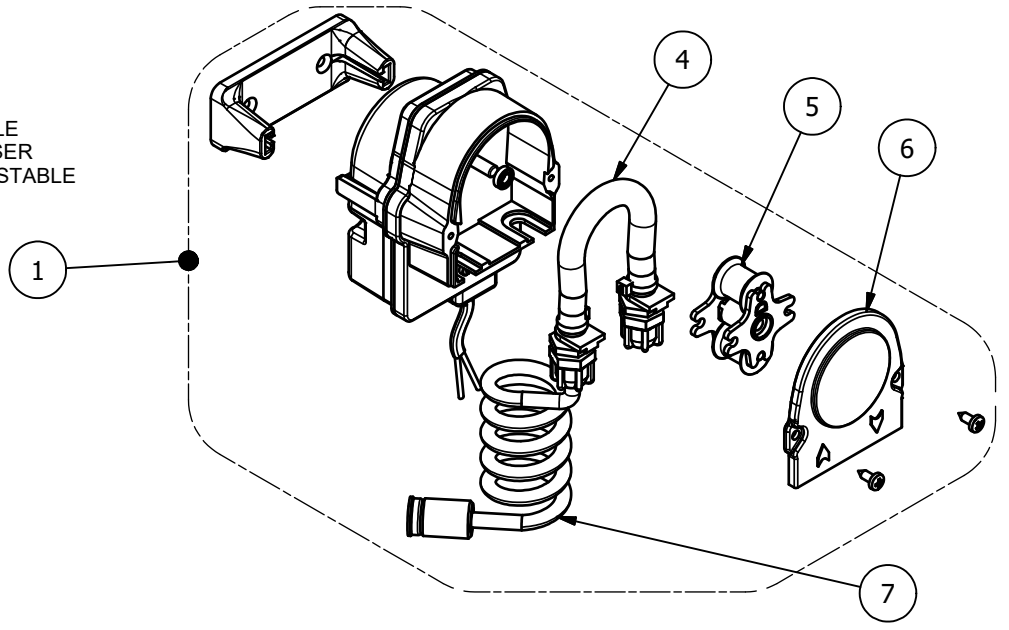
AU 55.65 EASY PRS
PANNELLO COMANDI - FRONT PANEL - PANNEAU DE CONTROLE

TAV.6_2

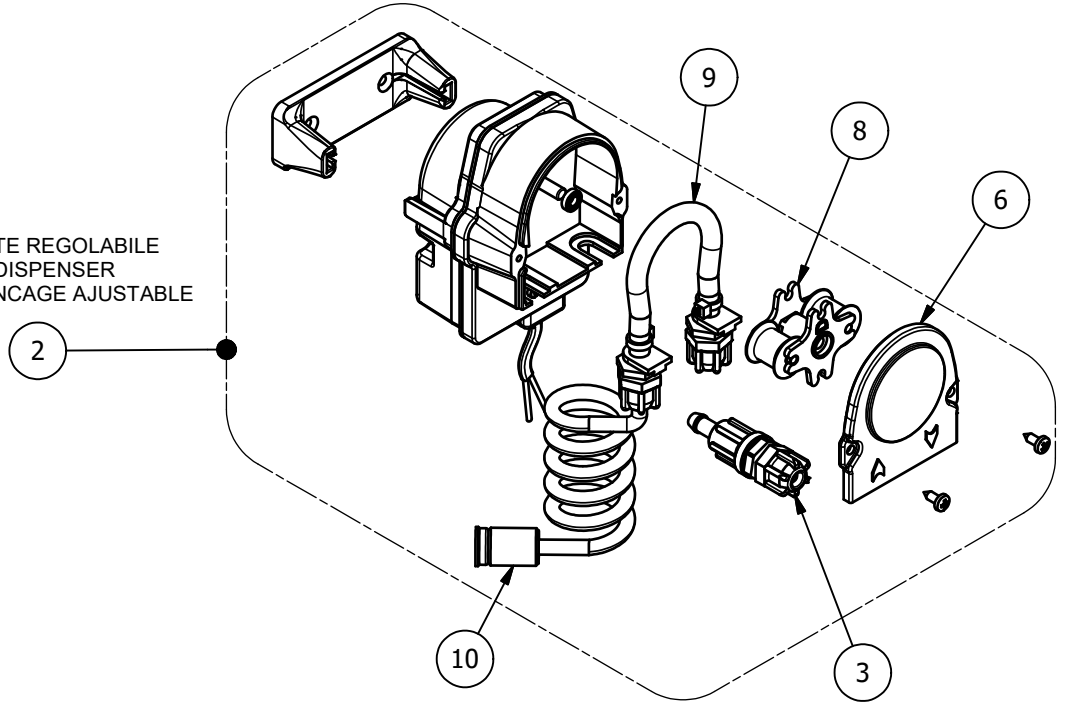
ELEM.	CODICE	DA/FROM MATR.	DESCRIZIONE	DESCRIPTION [EN]	DESCRIPTION [FR]	U.M.
1	3013-0031		PANNELLO FRONTALE	FRONT PANEL	PANNEAU AVANT	No.
2	00012381		MEMBRANA ADESIVA	ADHESIVE LABEL	MEMBRANE ADHÉSIVE	No.
3	00006460		TERMOMETRO	THERMOMETER	THERMOMETRE	No.
4	00004322		PULSANTE CM-NA (*)	CM-NO PUSH BUTTON (*)	CM-NO BOUTON (*)	No.
5	00004323		INTERRUTTORE CM-NA BIPOLARE (*)	CM-NO TWO POLE SWITCH (*)	CM-NO COMMUTATEUR BIPOLAIRE (*)	No.
6	00004051		LAMPADA TRASPARENTE 230V (*)	230V TRANSPARENT IND. 230V (*)	230V INDICATEUR TRANSPARENT (*)	No.
7	00004045		STRUTTURA GUIDA (*)	LIGHT INDICATOR HOLDER (*)	SUPPORT D'IND. LUMINEUX (*)	No.
8	2005-0002		SUPPORTO PULSANTE	PUSH BUTTON SUPPORT	SUPPORT BOUTON	No.
9	00003435		SUPPORTO TONDO D.25 NERO	D.25 BLACK SUPPORT	D.25 SUPPORT NOIR	No.
10	2012-0005		GEMMA NEUTRA	NEUTRAL COVER FOR LAMP	COUVERTURE TRANSPAR.	No.
11	00012726		TASTO D25 NERO	D.25 BLACK BUTTON	D.25 BOUTON NOIR	No.
12	00004453		SELETTORE	SWITCH	COMMUTATEUR	No.
13	00004450		CONTATTO NO	CONTACT NO	CONTACT NO	No.
14	00004456		CONTATTO NC	CONTACT NC	CONTACT NC	No.

(*) RICAMBI CONSIGLIATI / RECOMMENDED SPARE PARTS / PIÈCES DÉTACHÉES RECOMMANDÉES

DOSATORE DETERSIVO REGOLABILE
ADJUSTABLE DETERGENT DISPENSER
DOSEUR PRODUIT DE LAVAGE AJUSTABLE



DOSATORE BRILLANTANTE REGOLABILE
ADJUSTABLE RINSE-AID DISPENSER
DOSEUR PRODUIT DE RINCAGE AJUSTABLE



REV.02
(01/2021)

AU 55.65 EASY PRS

DOS. DET. E BRILL. - DETERG. AND RINSE-AID DISPENSER - DOS. PRODUIT DE LAV. ET RINC.

TAV.7_2

ELEM.	CODICE	DA/FROM MATR.	DESCRIZIONE	DESCRIPTION [EN]	DESCRIPTION [FR]	U.M.
1	00016163		ASS. DOS.DETER. ELETTR. REGOL. 0-3Lt/h	ADJUSTABLE DETERG. DISPENSER 0-3Lt/h	DOSEUR PRODUIT DE LAV. AJUSTABLE 0-3Lt/h	No.
2	8395-0024		ASS. DOS. BRILL. ELETTR. REGOL. 0-0,5Lt/h	ADJUSTABLE RINSE AID DISPENSER 0-0,5Lt/h	DOSEUR RINCAGE AJUSTABLE 0-0,5Lt/h	No.
3	2018-0001		ASS. VALVOLA DI NON RITORNO DOS. BRILL. (*)	NON RETOURN VALVE FOR RINSE AID DISP. (*)	ENS. DU VANNE ANTI-RETOUR POUR RINCAGE (*)	No.
4	00017128		TUBO INTERNO DOSAT. DETERSIVO (*)	INTERNAL DETERG. DISPENSER HOSE (*)	TUBE INTERNE POUR DOSEUR PRODUIT DE LAV. (*)	No.
5	00006632		ASS. PORTARULLI DOS. DETERSIVO (*)	DETERGENT DISPENSER ROLL HOLDER ASSY (*)	ENSEMBLE SUPPORT DE ROULEAU DOSEUR PRODUIT DE LAV. (*)	No.
6	8395-0013		COPERCHIO DI CHIUSURA	COVER ASSY	COUVERTURE DE FERMETURE	No.
7	00005069		ASS. FILTRO DOSAT. DETERS. CON TUBO	DETERG. DISPENS. FILTER ASSY	ENS. DU FILTRE DU DOSEUR PRODUIT DE LAV. AVEC TUBE	No.
8	8395-0014		ASS. PORTARULLI DOS. BRILL. (*)	RINSE AID DISPENSER ROLL HOLDER ASSY (*)	ENSEMBLE SUPPORT DE ROULEAU DOSEUR RINC. (*)	No.
9	00017129		TUBO INTERNO DOSAT. BRILLANTANTE (*)	INTERNAL RINSE AID DISPENSER HOSE (*)	TUBE INTERNE POUR DOSEUR RINCAGE (*)	No.
10	00005070		ASS. FILTRO DOSAT. BRILL. CON TUBO	RINSE AID DISPENS. FILTER ASSY	ENS. DU FILTRE DU DOSEUR RINCAGE AVEC TUBE	No.

(*) RICAMBI CONSIGLIATI / RECOMMENDED SPARE PARTS / PIECES DETACHEES RECOMMANDEES